

**SKYRACK BALLASTED®** – a rail based, ballasted racking solution for all types of flat rooftops



#### Designed for Flexibility and Northern Climate

- Rail based design provides greater system strength, maximum panel support, and fast and easy wire management
- Maximize panel density and minimize cost with portrait design (up to 20% more panels)
- Available at 4 different panel tilts (3, 5, 7, or 10 degrees)
- Can be removed and reinstalled to allow for roof repairs or relocation
- Protection mats are compatible with all roof types and help protect roof warranty
- Uses standard 16" x 8" x 4" solid concrete blocks as ballast

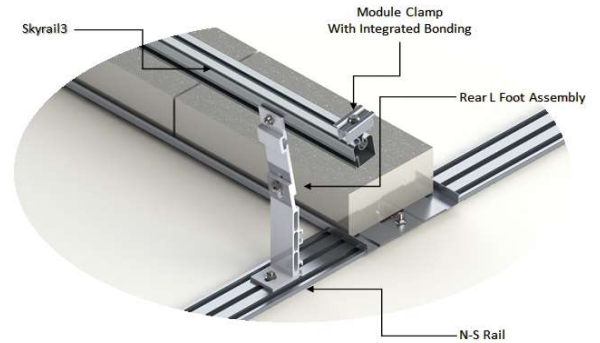
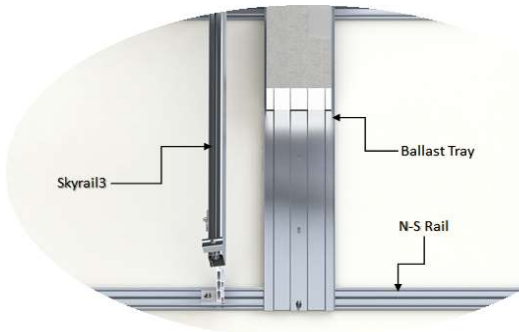


#### Dramatically Reduced Installation Time

- Riverstone does not need to be relocated prior to installation
- Reduced roof contact
- Ballasted design, no roof penetrations

#### Focus on Quality and Backed by Extensive Experience

- 20 year transferable warranty
- hb Solar International draws on 10 years of experience and over 150mWp of projects delivered



## System Features

Detail	
Roof types	Compatible with all flat roofs
Connections	Non-penetrating, ballasted mounting system. Also compatible with mechanical anchor
Module Compatibility	SKYRACK BALLASTED can accommodate all solar module types
Tilt Angle	3, 5, 7 & 10 degrees
Bonding/Grounding	UL2703 and cUL certified for bonding and grounding
Warranty	20 year fully transferable warranty
Materials	Racking components are all aluminum with stainless steel fasteners
System Weight	Typically less than 5 psf
Wind Tunnel Tested	SKYRACK BALLASTED has been wind tunnel tested by RWDI
Engineering Drawings	All projects are designed to meet North American building standards and are delivered with locally stamped engineering drawings

© 2019 All rights reserved. SKYRACK BALLASTED is a registered trademark of hb Solar International Inc. Specifications are subject to change.

