

hb SkyMount

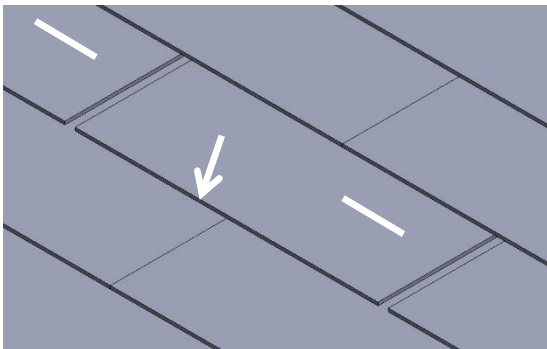
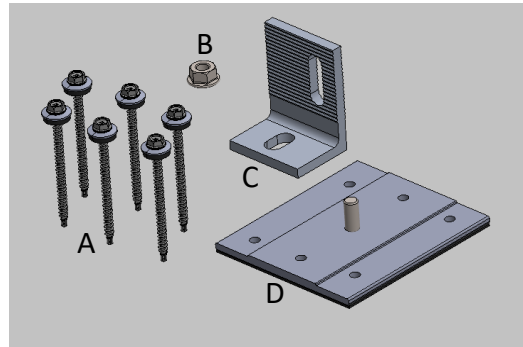
Quick Installation Guide

Tools Required:

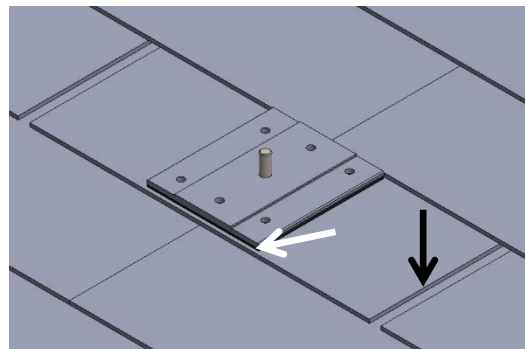
- Tape measure
- 8mm socket
- Caulking Gun
- Sealant – compatible with roofing material
- Chalk/Marking Crayon
- Drill/Impact

Components:

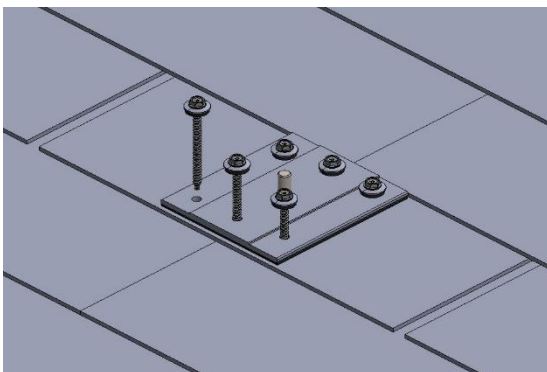
- A. Roofing screws (**6 per SkyMount included in box**)
- B. M8 Serrated Nut
- C. L-Foot
- D. SkyMount with pre-applied butyl



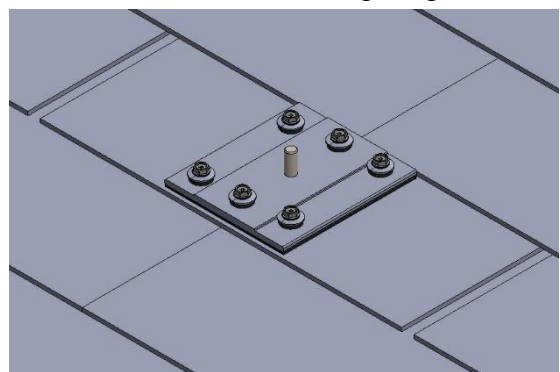
1. Choose shingle row for each line of SkyMount connections and mark with chalk. Note: precise vertical location is less important than simply choosing a consistent line of shingles across the roof so that SkyMounts can be connected away from horizontal overlaps in shingles (arrow). Space SkyMount connections per engineering documents for your project.



2. Remove backing, and place SkyMount above, not overlapping, shingle edge (*white arrow*). If SkyMount must overlap shingle edges or gaps (*black arrow*), extra butyl must be cut and applied to create a flat/level surface for the mount to sit upon (see Fig's 8-9 below for example). SkyMount should not be installed on any surface with gaps, overlaps or level changes unless lower level is built up first with butyl to create a flat/level surface. Screws to be installed with minimum distance of 10mm from and shingle edge.

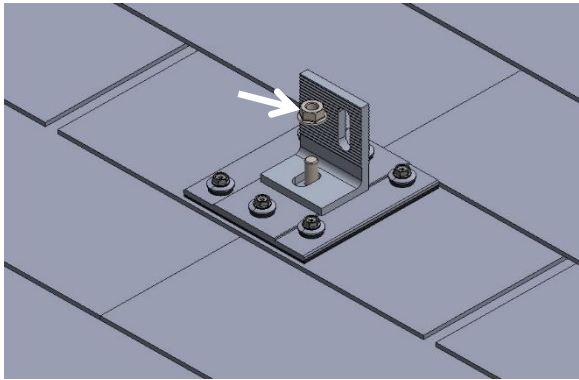


3. Install 6 screws – one in each available hole.

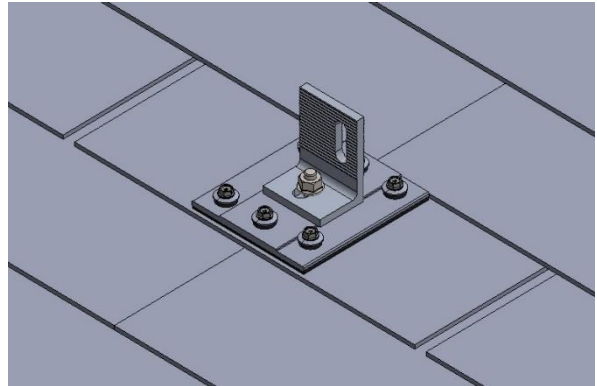


4. SkyMount installed.

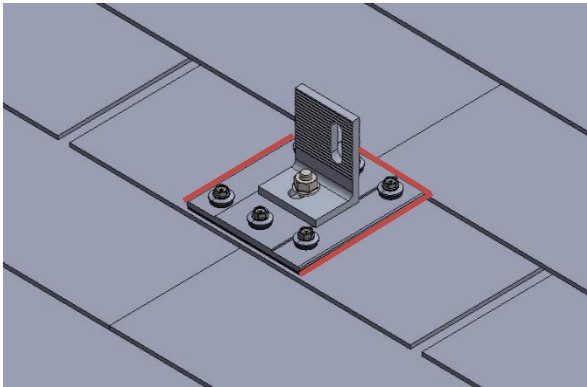
IMPORTANT: tighten screws until the EPDM rubber underneath metal washer becomes flush with edge of metal washer.



5. Attach L-foot to SkyMount using M8 nut

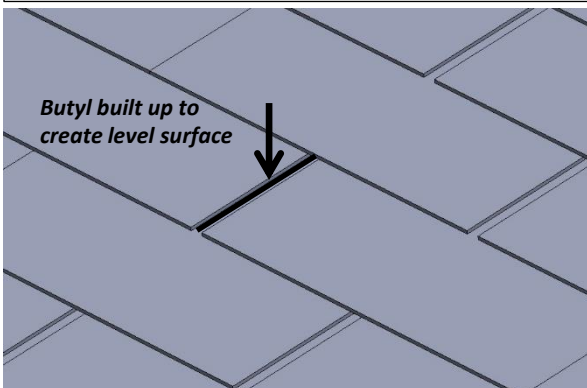


6. Torque M8 nut to 13-17 ft•lbs (17-23 Nm)

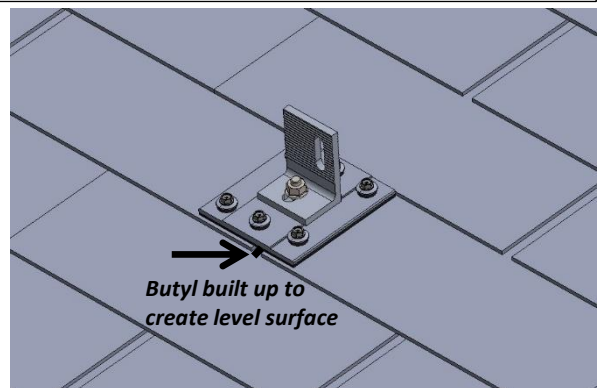


7. For maximum protection, appropriate roofing sealant may be applied around the top, and sides of the SkyMount where indicated in red above.

Installing over gaps, overlaps or level changes should be avoided if at all possible. If unavoidable, proper weather sealing requires adding additional Butyl tape to build up gap or level change to create level surface before installing SkyMount.*



8. If SkyMount must be installed over any level change or gap (example above), low areas must be built up with butyl* to create a flat/level surface before installing SkyMount.



9. SkyMount installed over shingle gap - low areas/gaps must be built up with butyl to create a flat/level surface before installation.

**SkyMount comes with butyl backing pre-applied. Additional butyl is available for purchase in rolls from hb Solar for this purpose.*